

Series *DH*

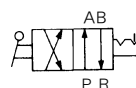
Hand Valve (4 way)



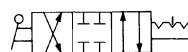
- PORTING OF NPT(PT) 1/4", 3/8" AND 1/2"
- ALUMINUM DIE CASTING DESIGN FOR HEAVY APPLICATIONS
- DETENTED CENTER POSITION

Symbol

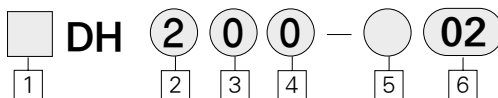
2 Position



3 Position



How to Order



1 Thread

Blank : Rc(PT)

U : NPT

2 Body Size (Basic Size)

2 : Cv 0.4(1/4" Only)

3 : Cv 1.1(3/8" Only)

4 : Cv 3.1(1/2" Only)

3 Piping & Mounting Position

0 : Piping-Side

Mounting-Body

1 : Panel Mountable

4 Position Symbol

0 : 3 Position

Closed Center

2 : 2 Position

5 Thread

Blank : Rc(PT)

G : Rc(PF)

6 Port Size

02 : 1/4

03 : 3/8

04 : 1/2

Model

Series	Port Size Rc(PT)/NPT	Number of Positions	Piping	Model	Effective Orifice in ² (Cv factor)	Weight kgf(lbs)
				Body Ported		
DH2	1/4"	3(Closed Center)		DH200-02	0.01(0.4)	0.55(1.21)
UDH2		2Position		DH202-02		
DH3	3/8"	3(Closed Center)		DH300-03	0.03(1.1)	0.9(1.98)
UDH3		2Position		DH302-03		
DH4	1/2"	3(Closed Center)		DH400-04	0.09(3.1)	1.6(3.53)
UDH4		2Position		DH402-03		

Standard Specifications

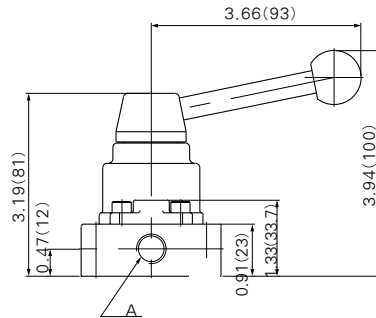
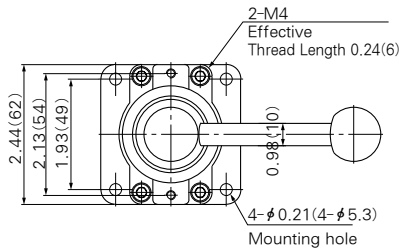
Fluid	Air
Proof Pressure	1.5MPa(200 PSI)
Max. Operating Pressure	990kPa(140 PSI)
Ambient and Operating Fluid Temperature	5~60℃(40~140°F)
Operating Angle	90°

DW
DR100
RS
DV1000 · 3000 · 4000
DS300
DS3000
DS5000
DS2000
DX2R
DP300 · 3000 · 5000
DS6000
DX2
DM
DH
DT220
DC

Dimensions

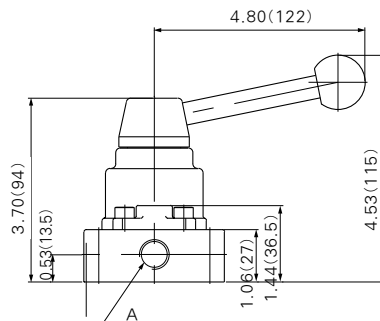
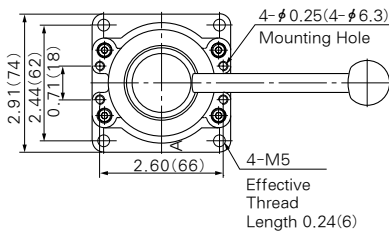
inch(mm)

DH200-02/Side Piping



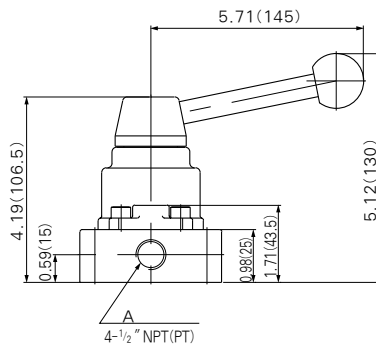
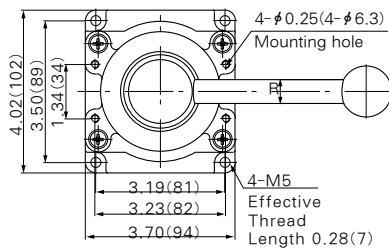
DH300-03/Side Piping

inch(mm)



DH400-04/Side Piping

inch(mm)



Series **DM**

3 · 5 Port Mechanical Valves

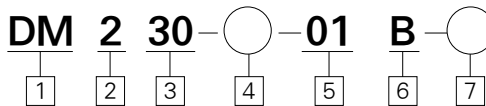


- VARIOUS ACTUATORS AVAILABLE
- EASY TO INTERCHANGE ACTUATOR ASSEMBLIES

Specifications

Body Type	DM230	DM330	DM450	DM550
Fluid	Air			
Operating Pressure Range	0~7kgf/cm ² (0~99.57psi)		1.5~7kgf/cm ² (21.34~7psi)	
Effective Orifice mm ² (Cv)	11.0(0.6)	19.0(1.0)	14.0(0.7)	19.0(1.0)
Lubrication	Not Required			
Port Size	Rc(PT)1/8	Rc(PT)1/4	Rc(PT)1/8	Rc(PT)1/4
Weight g(ozs)	88(3.1)	125(4.4)	163(5.75)	191(6.74)
Actuator	Basic Type, Roller Plunger, Roller, Push Button(Mushroom), Push Button(Flush), Selector			
Symbol				

How To Order



1 Mechanical Valve

2 Body Type / Size

- 2 : B Type
- 3 : C Type
- 4 : D Type
- 5 : E Type

3 Type of Actuation

- 30 : 2 Position 3 Port N.O/N.C.
- 50 : 2 Position 5 Port

4 Mounting

Blank : Standard

※ B : Bracket

※ Bracket Part No

DM450 Series : DM-4B

DM550 Series : DM-5B

5 Port Size

01 : 1/8

02 : 1/4

R : Roller Plunger

RB : Roller

E : Push Button(Mushroom)

R2 : One Way Roller

RB2 : One Way Roller

P : Push Button(Flush)

S : Selector

7 Actuator's Color(switch)

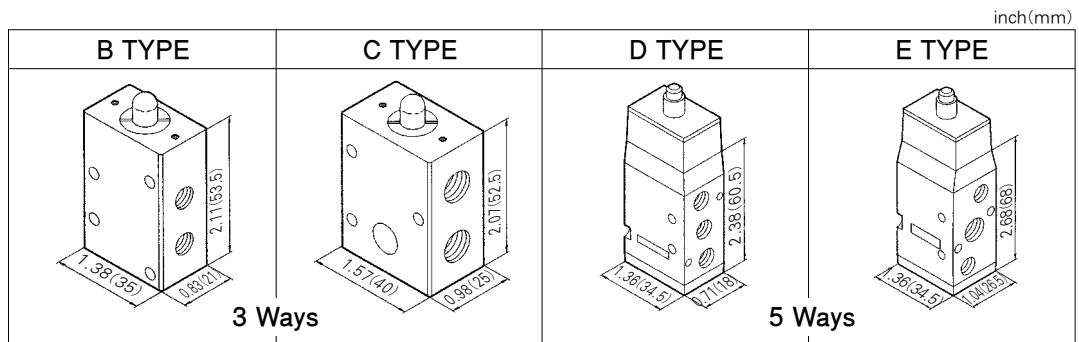
Blank : Red

G : Green

B : Black

6 Actuator

B : Basic Type



DW

DR100

RS

DV1000 ·
3000 · 4000

DS300

DS3000

DS5000

DS2000

DX2R

DP300 ·
3000 · 5000

DS6000

DX2

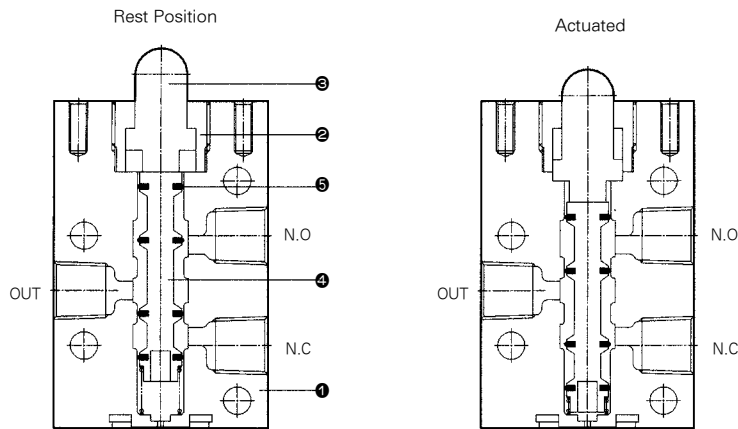
DM

DH

DT220

DC

DM230/Construction/Parts List

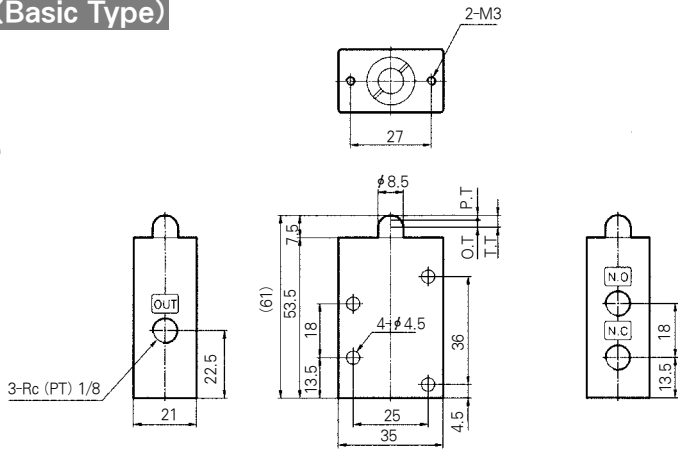
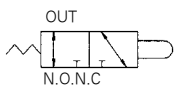


No.	Description	Material
①	Body	Aluminum
②	Housing	C3604
③	Button	POM
④	Spool	A2011
⑤	Spool Packing	NBR

DM230-01B (Basic Type)

mm

Symbol

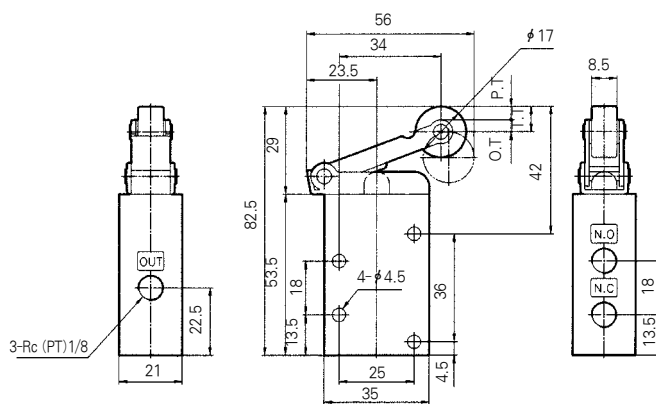


F.O.F	2.5kgf
P.T	1.5mm
O.T	2mm
T.T	3.5mm

DM230-01R (Roller Plunger)

mm

Symbol



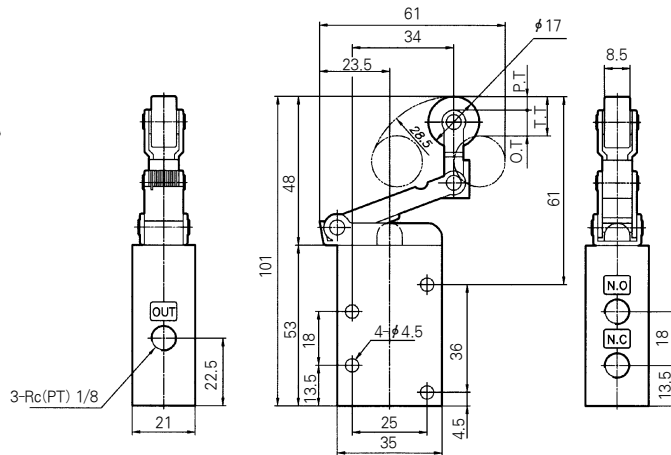
F.O.F	1.2kgf
P.T	4mm
O.T	4.5mm
T.T	8.5mm

Series DM

DM230-01R2(One way Roller) / DM230-01RB2(One way Roller Bearing)

mm

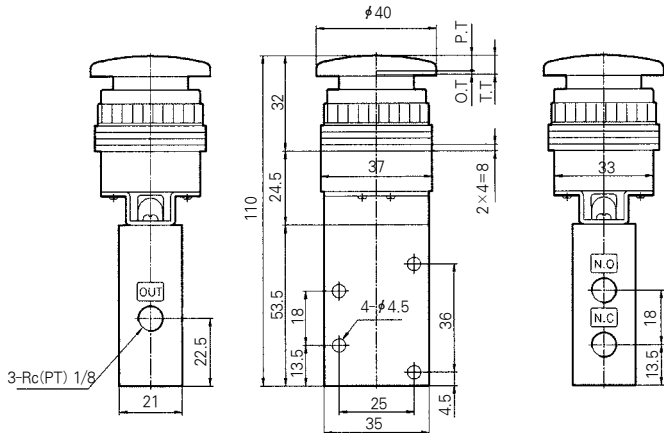
Symbol



F.O.F	1.2kgf
P.T	4.0mm
O.T	4.5mm
T.T	8.5mm

DM230-01E(Push Button / Mushroom)

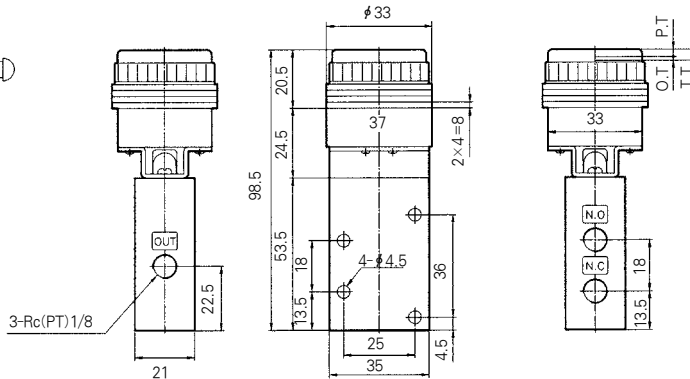
Symbol



F.O.F	2.6kgf
P.T	4.9mm
O.T	1.6mm
T.T	6.5mm

DM230-01P (Push Button/Flush)

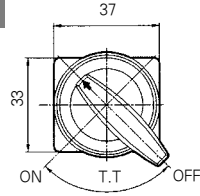
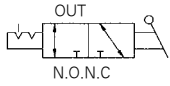
Symbol



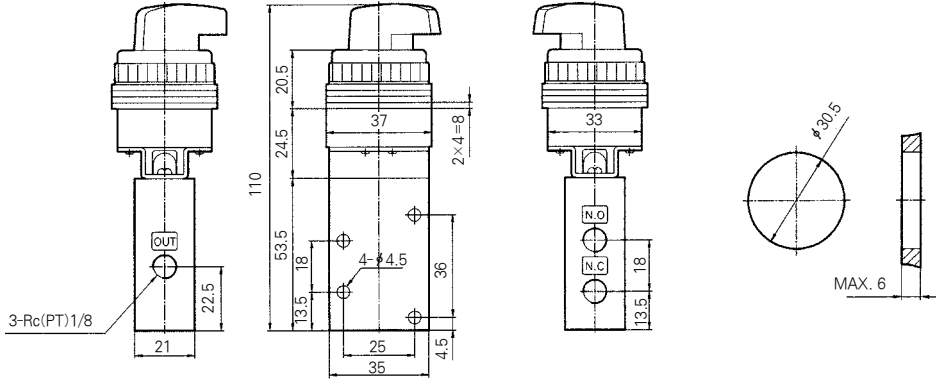
F.O.F	2.6kgf
P.T	4.9mm
O.T	1.6mm
T.T	6.5mm

DM230-01S (Selector Type)

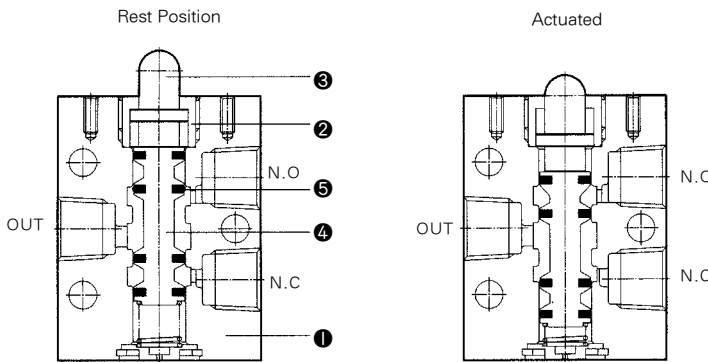
Symbol



F.O.F	1.0 kgf
T.T	90°



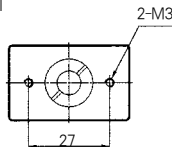
DM330/Construction/Parts List



No.	Description	Material
①	Body	AL
②	Housing	C3604
③	Button	POM
④	Spool	A2011
⑤	Spool Packing	NBR

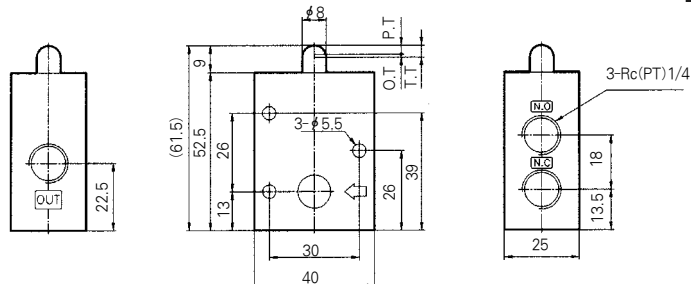
DM330-02B (Basic Type)

Symbol



mm (inch)

F.O.F	2.2kgf
P.T	3mm(0.12)
O.T	2mm(0.08)
T.T	5mm(0.20)



DW

DR100

RS

DV1000 ·
3000 · 4000

DS300

DS3000

DS5000

DS2000

DX2R

DP300 ·
3000 · 5000

DS6000

DX2

DM

DH

DT220

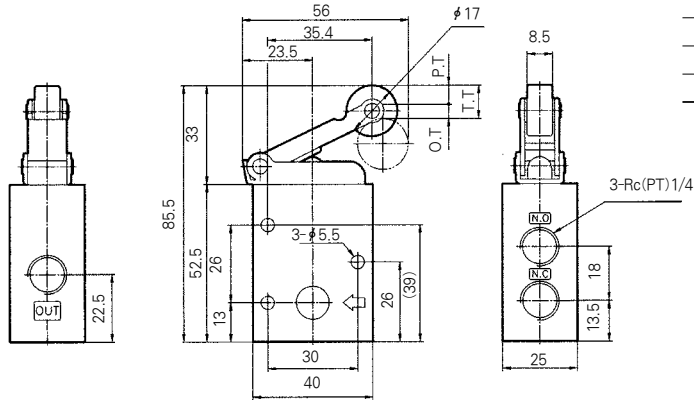
DC

Series DM

DM330-02R (Roller Plunger)

Symbol

mm(inch)

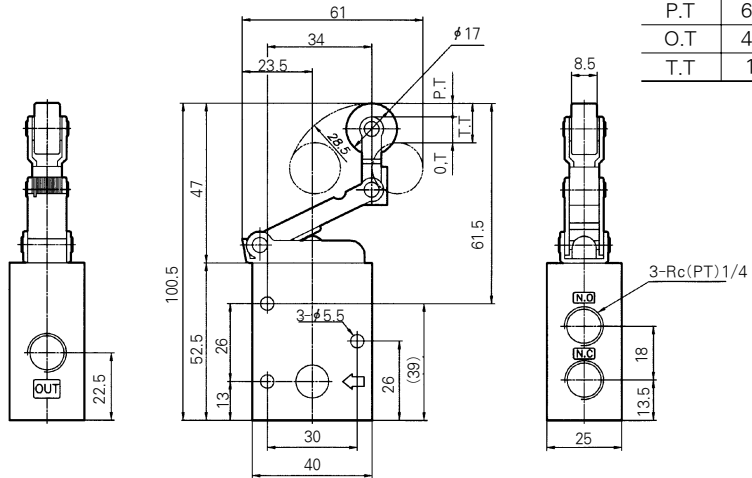


F.O.F	1.2kgf
P.T	6.5mm(0.26)
O.T	4.5mm(0.18)
T.T	11mm(0.43)

DM330-02R(One Way Roller) DM330-02RB2(One Way Roller Bearing)

Symbol

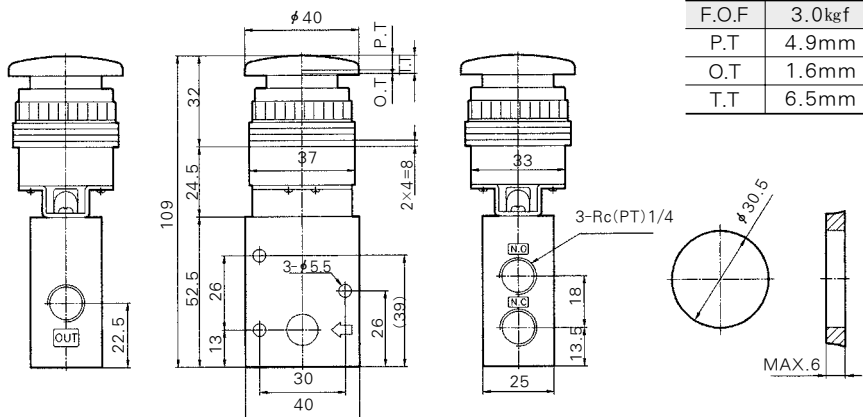
F.O.F	1.2kgf
P.T	6.5mm
O.T	4.5mm
T.T	11mm



DM330-02E(Push Button/Mushroom)

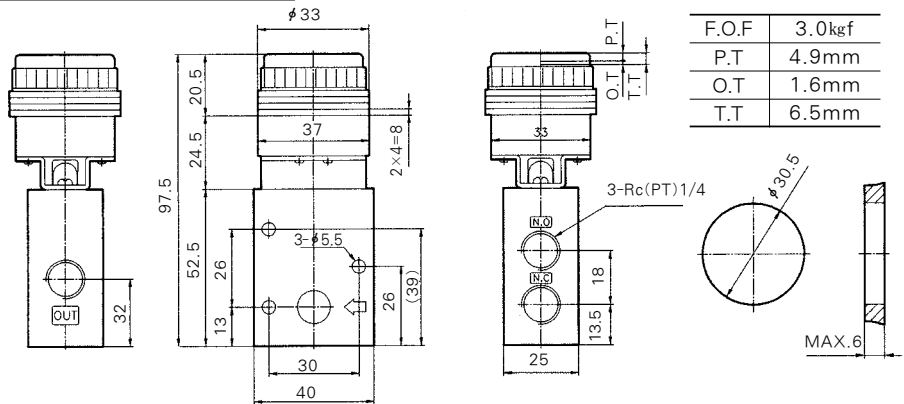
Symbol

F.O.F	3.0kgf
P.T	4.9mm
O.T	1.6mm
T.T	6.5mm



DM-330-02P (Push Button/Flush)

Symbol

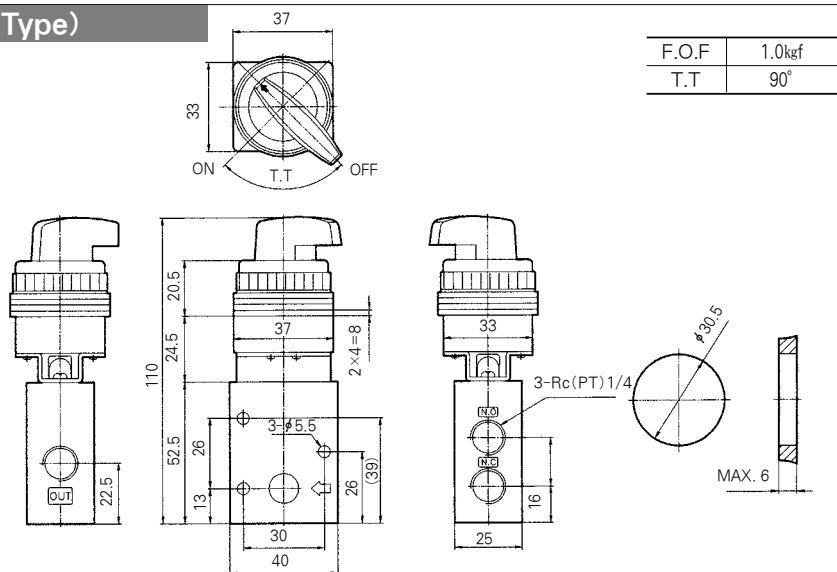


DM330-02S (Selector Type)

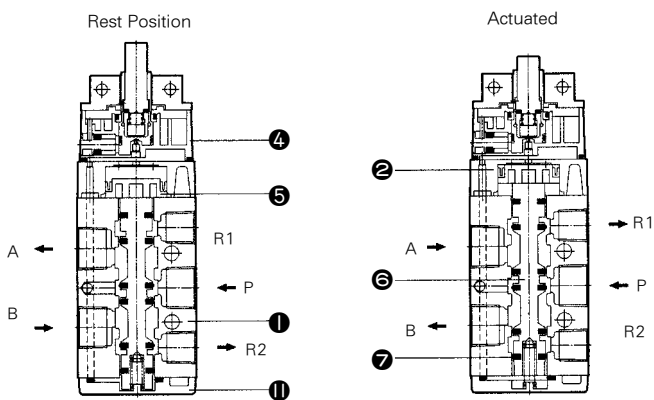
Symbol



C



DM450/Construction/Parts List

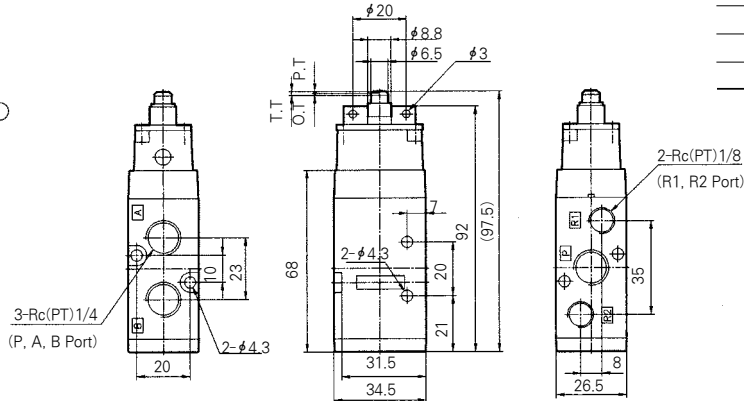
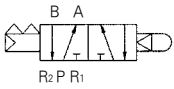


No.	Description	Material
1	Body	Aluminum
2	Semi Pilot	ZADC
3	Cap	ZnDC
4	Pilot	ZnDC
5	Piston	PBT
6	Spool	A2011
7	Spool Packing	NBR

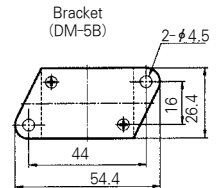
Series DM

DM550-02B (Basic Type)

Symbol

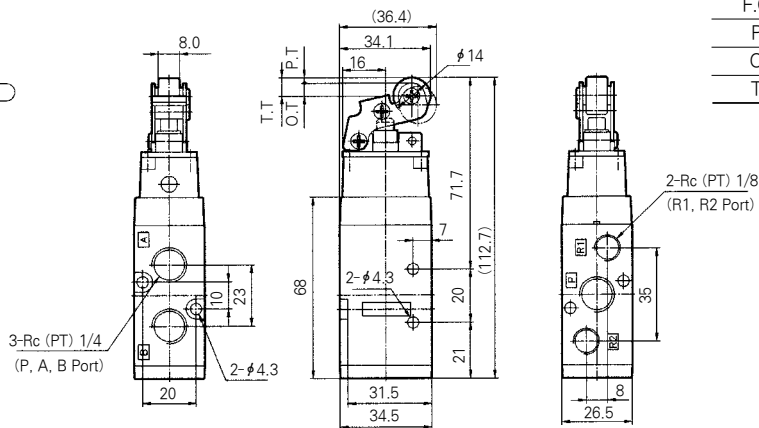
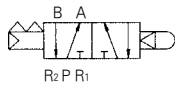


F.O.F	1.5kgf
P.T	1mm
O.T	1.5mm
T.T	2.5mm



DM550-02R (Roller Plunger)

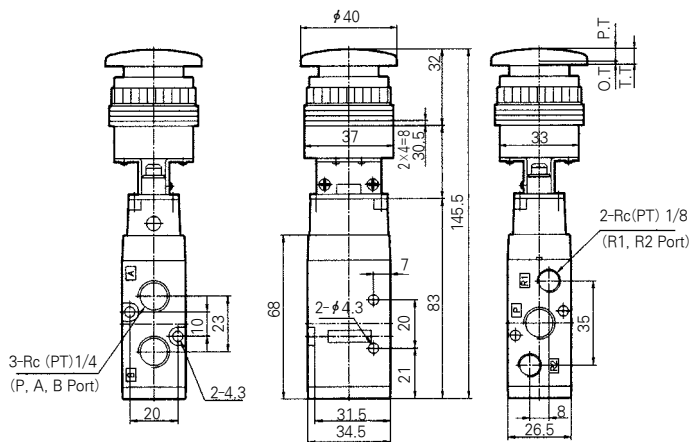
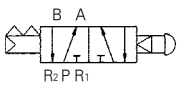
Symbol



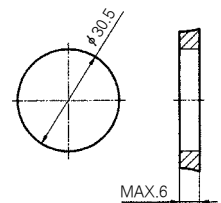
F.O.F	1.0kgf
P.T	1.5mm
O.T	1.5mm
T.T	3mm

DM550-02E (Push Button/Mushroom)

Symbol

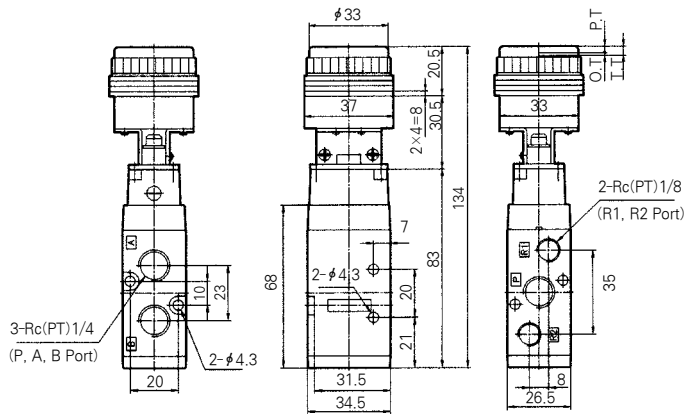
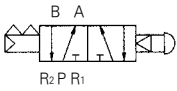


F.O.F	1.5kgf
P.T	4.5mm
O.T	1.5mm
T.T	6mm



DM550-02P(Push Button/Flush)

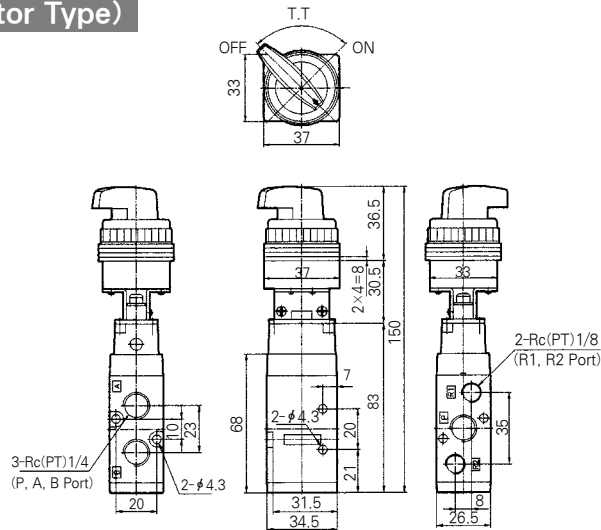
Symbol



F.O.F	1.5kgf
P.T	2.5mm
O.T	1.5mm
T.T	4mm

DM550-02S (Selector Type)

Symbol



F.O.F	1.5kgf
T.T	90°

DW

DR100

RS

DV1000 ·
3000 · 4000

DS300

DS3000

DS5000

DS2000

DX2R

DP300 ·
3000 · 5000

DS6000

DX2

DM

DH

DT220

DC